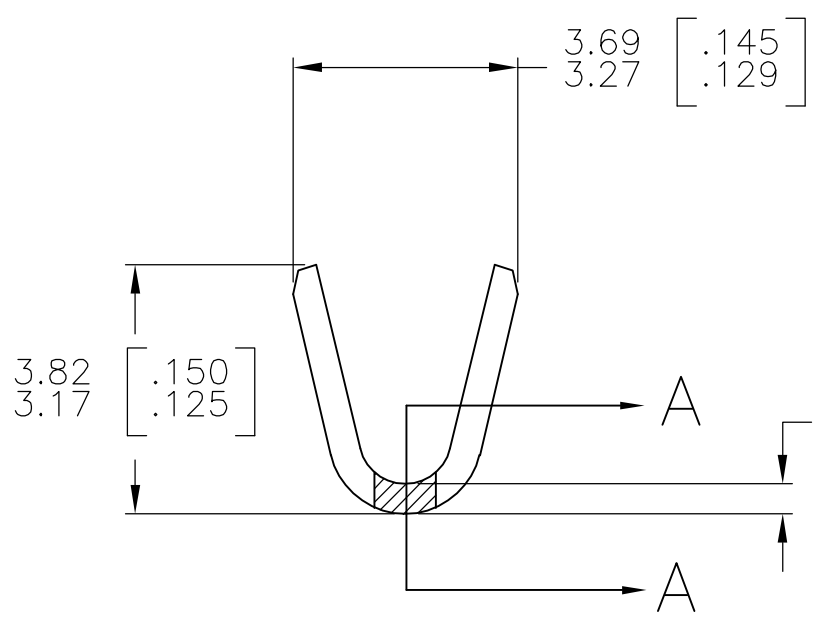
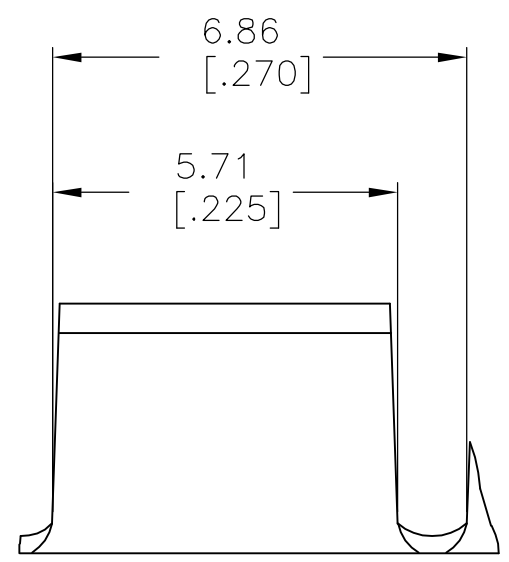
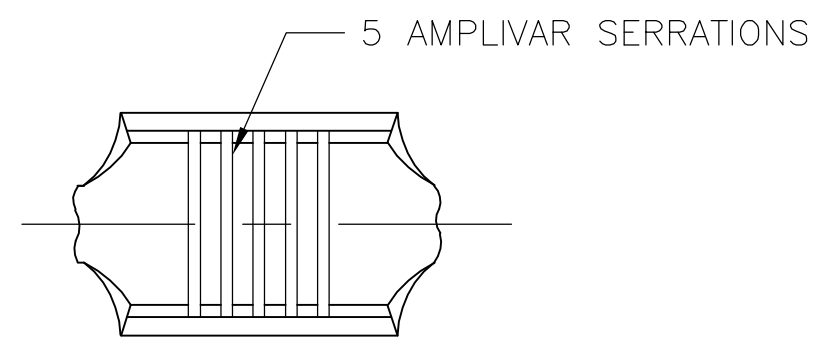
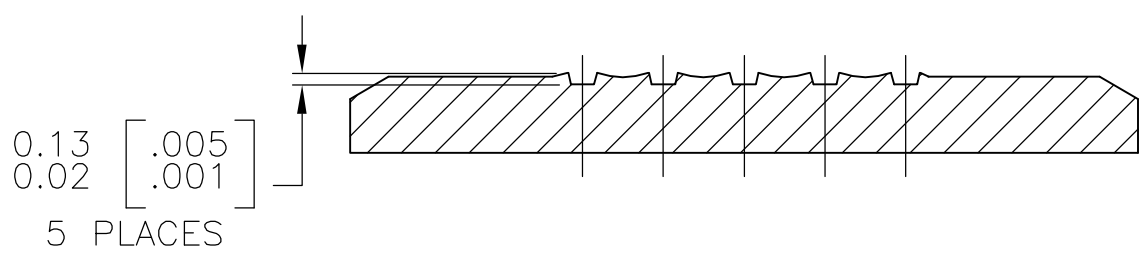


THIS DRAWING IS UNPUBLISHED. RELEASED FOR PUBLICATION
 © COPYRIGHT BY TYCO ELECTRONICS CORPORATION. ALL RIGHTS RESERVED.

LOC	DIST	REVISIONS			
P	LTR	DESCRIPTION	DATE	DWN	APVD
AF	50	G	ECR-06-023927(REDRAWN IN AUTOCAD)	03JUL06	HMR GP



- CONTINUOUS STRIP ON REELS.
- DIMENSIONS IN BRACKETS ARE IN INCHES.
- FOR ADDITIONAL INFORMATION, SEE APPLICATION SPEC. 114-2009.
- CRIMP WIDTH: .110 F TYPE (AMPLIVAR THRU)
 CRIMP HEIGHT (±.002)=(TOTAL CMA+9,400)/190,500
 GENERAL APPLICATION GUIDELINES MUST BE FOLLOWED AS SPECIFIED IN CATALOG #82221
 FOR APPLICATOR INFORMATION CALL:1-800-722-1111
 FOR PRODUCT INFORMATION CALL:1-800-522-6752



SECTION A-A
SCALE 20:1

OBSOLETE	NICKEL FLASH	BRASS	42192-5
OBSOLETE	TIN PLATE	PH BRZ	42192-4
OBSOLETE	-	-	42192-3
	TIN PLATE	BRASS	42192-2
	-	BRASS	42192-1
	FINISH	MATERIAL	PART NO

THIS DRAWING IS A CONTROLLED DOCUMENT.		DWN RAGHAVENDRA 03JUL06	Tyco Electronics Corporation Harrisburg, PA 17105-3608	
DIMENSIONS: mm [INCHES]	TOLERANCES UNLESS OTHERWISE SPECIFIED:	CHK G.D.PORTA	NAME	
	0 PLC ± -	APVD G.D.PORTA	SPLICE, AMPLIVAR	
	1 PLC ± -	PRODUCT SPEC	600 - 3000 CMA	
	2 PLC ± -	APPLICATION SPEC	SIZE	CAGE CODE
	3 PLC ± 0.38 [.015]		A3	00779
	4 PLC ± -		DRAWING NO	RESTRICTED TO
	ANGLES ± 1' 0"		G-42192	-
MATERIAL SEE TABLE	FINISH SEE TABLE	WEIGHT -	SCALE 8:1	SHEET 1 OF 1
CUSTOMER DRAWING			REV G	